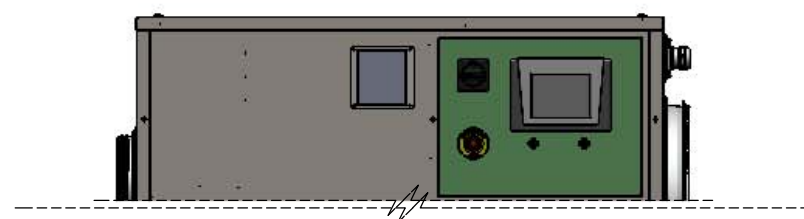
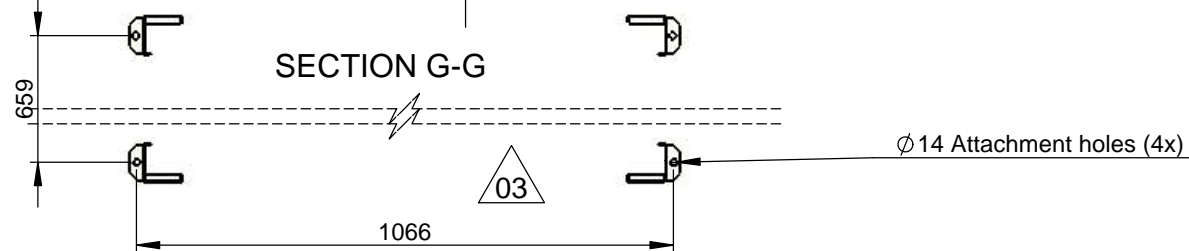


Panel mounted PLC C4 (Option)



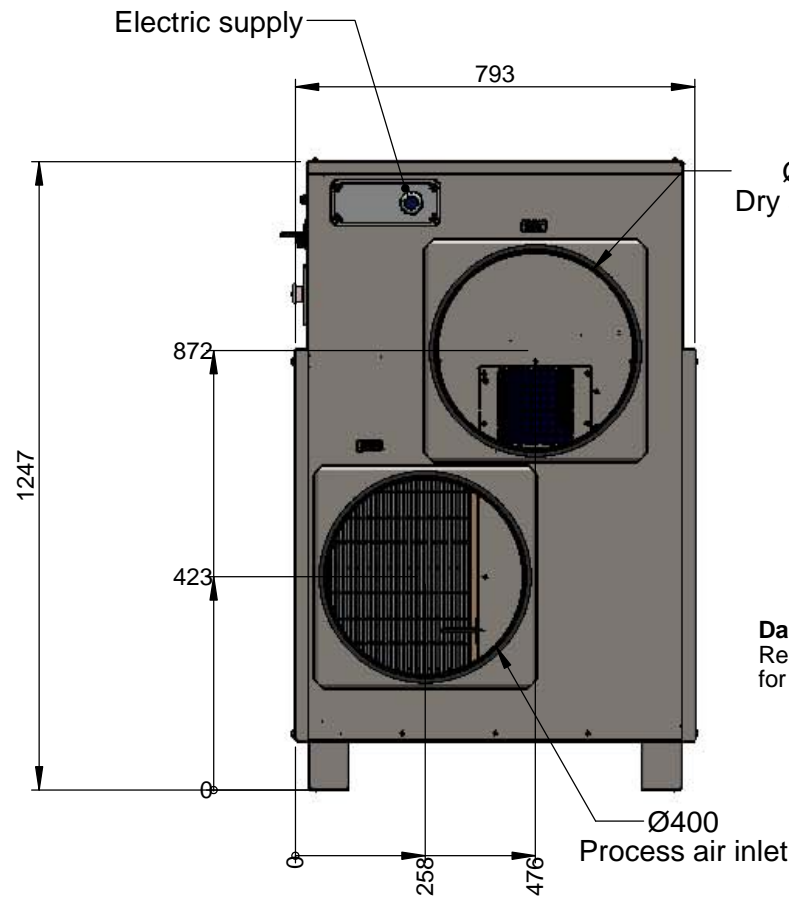
SECTION G-G



**Packaging dimensions:**  
WxDxH = 1350x950x1410  
Weight ~ 232 kg

Recommended reducers:  
Ø250>Ø200

Recommended reducers (Dry air flow > 2500 m³/h):  
Ø400<Ø500

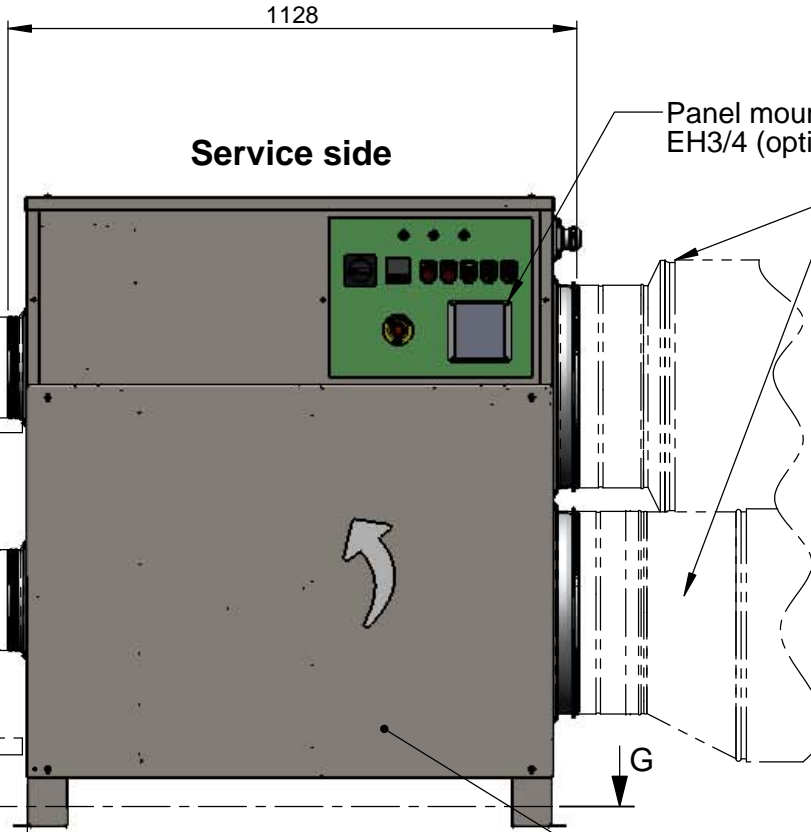


Ø400  
Dry air outlet

Ø400  
Process air inlet

**Damper**  
Recommended  
for optimal installation

**Service side**



Panel mounted  
EH3/4 (option)

Ø200  
Wet air outlet

Steam heater inlet  
DN25  
(RL-71S)

Steam heater outlet  
DN25  
(RL-71S)

Removable front cover  
Filter-, rotor- and rotor motor access

Removable top cover  
electrical cabinet access  
600 mm service area above unit.

Ø200  
Reg air inlet



09

Service area = 1050 x 1000

05

| REVISIONS |  |            |          |
|-----------|--|------------|----------|
| REV.      | DESCRIPTION  | DATE       | APPROVED |
| 01        | Drawing layout improved  | 2012-12-17 | EL       |
| 02        | Drawing info added   | 2013-01-10 | EL       |
| 03        | Mass properties corrected and attachment holes view added.                                 | 2013-07-26 | EL       |
| 04        | Drawing updated to include heater options LR and S. Packaging dimensions and weight added. | 2013-11-13 | EL       |
| 05        | Service area information added   | 2014-08-26 | EL       |
| 06        | Detail view added  | 2014-12-19 | EL       |
| 07        | New feet design. Option "PLC C4" added.  | 2015-11-02 | EL       |
| 08        | Packing dimensions revised   | 2016-06-09 | EL       |
| 09        | 3D view revised  | 2016-06-29 | EL       |

This document and its contents are the exclusive property of DST Seibu Giken and must not be copied, reproduced, transmitted or communicated to any other party or used for purposes not expressly permitted by us.

Seibu Giken DST AB  
+46 8 445 77 20  
www.dst-sg.com

|                               |                                 |   |
|-------------------------------|---------------------------------|---|
| Designed by<br><b>Erik L</b>  | Date<br><b>2012-11-21</b>       | Title/Description<br><b>Dimensionsritning<br/>Dimension drawing</b> |
| Drawn by<br><b>Erik L</b>     | Date<br><b>2012-11-21</b>       |   |
| Approved by<br>-              | Date<br>-                       | <b>RL-71 R/R ICE/LR/S/S ICE</b>                                     |
| Material<br>-                 | Thickness<br>t=                 |   |
| Status<br><b>Construction</b> | Tolerance<br><b>ISO 2768-1m</b> | Drawing no<br><b>DST04470</b>                                       |
| Scale<br><b>1:15</b>          | Format<br><b>A3</b>             | Rev<br><b>09</b>  |